

FMC L09

SERIES 420 | 39-160-00

Specifications:

- Standard Suction Size: 1.50" NPT
- Standard Discharge Size: 1.00" NPT
- Pump Weight: 200 LBS
- 14 HP
- Flows to 28 GPM
- Pressures to 700 psi

Features:

- Fluid end material of cast iron
- Pump can be easily repacked
- Ceramic cylinders
- Internal gear reduction in crankcase eliminates need for large sheaves
- Ball valves are available for pumping viscous materials such as drilling muds

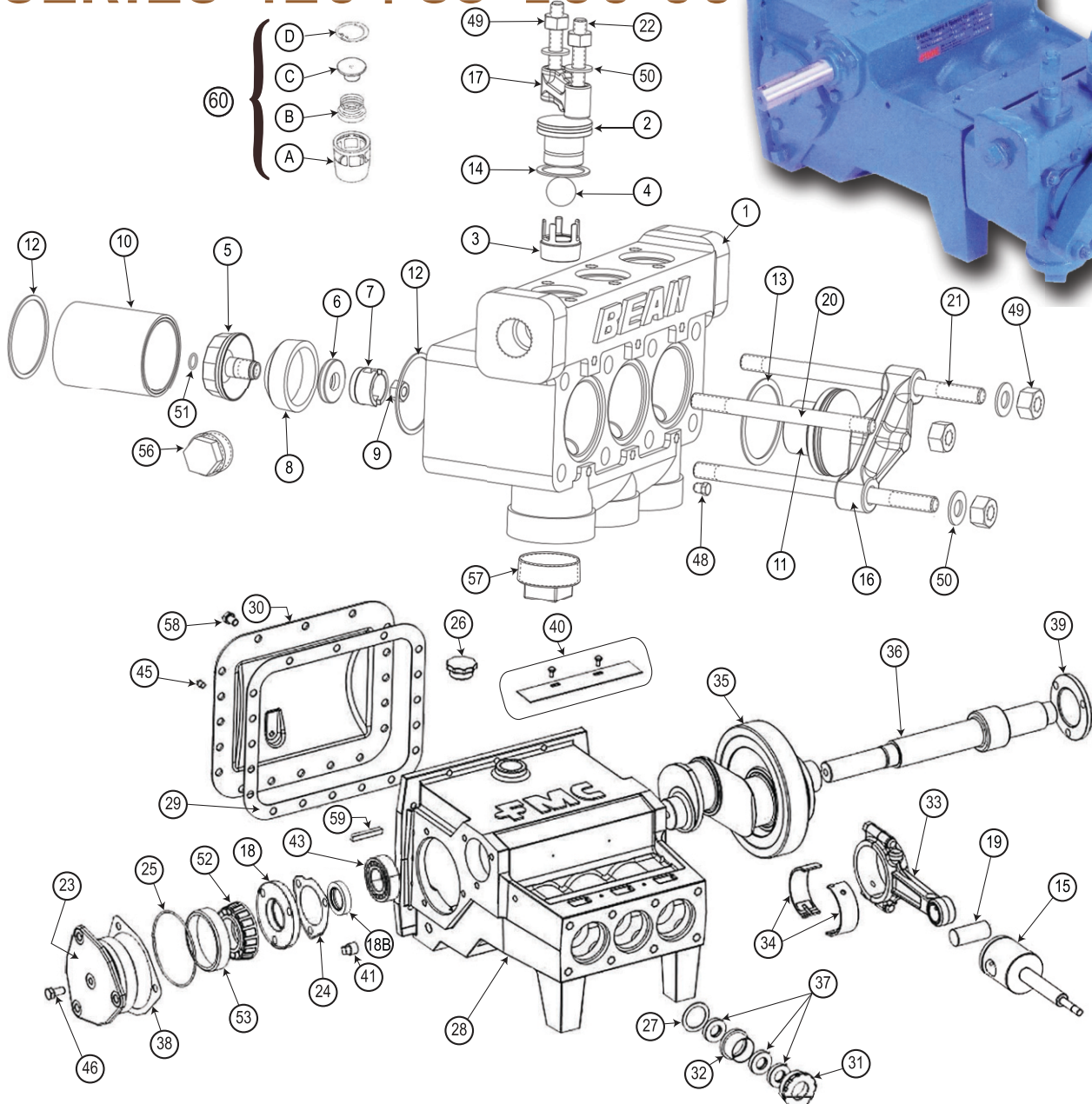
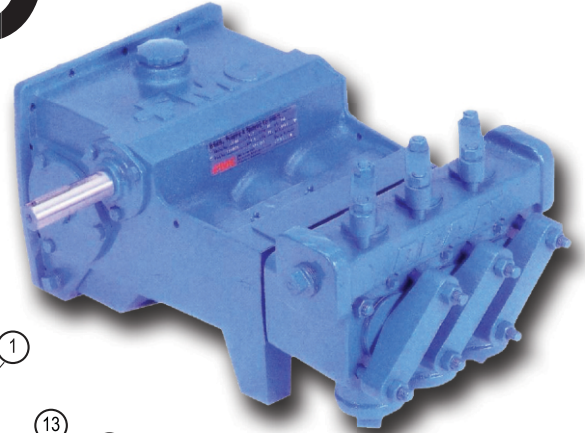
ITEM #	PART #	QTY	DESCRIPTION	ITEM #	PART #	QTY	DESCRIPTION
	39-160-00		L09-420 FMC BEAN PUMP	28	39-5260537	1	PUMP CASE
	39-A5049		TOOL ASM PLUNGER NUT	29	39-1279065	1	GASKET - COVER
1	39-1255266	1	VALVE CHAMBER	30	39-1279063	1	BACK COVER
2	39-A5003M	3	VALVE COVER	31	39-1283600	3	PACKING NUT
3	39-1225327FMC	6	VALVE SEAT	32	39-1283601	3	PACKING NUT SLEEVE
	39-1225327HD	6	VALVE SEAT HEAVY DUTY	33	39-18710	3	CONNECTING ROD
4	39-1187738	6	15/16" SS BALL	34	39-P510831	3	ROD BEARING (PAIR)
	39-1101418	6	7/8" SS BALL	35	39-1279071	1	CRANKSHAFT & GEAR ASM
5	39-8495	3	PACKING HOLDER	36	39-1265098	1	PINION SHAFT
6	39-1207289	3	PACKING WASHER	37	39-1283603	9	ROD SEAL
7	39-A5016	3	PLUNGER NUT	38	39-1252594	5	SHIM
8	39-5260052	3	PACKING - ABRASIVE	39	39-1225769	1	BEARING CAP
9	39-8309	3	HEX NUT ½ - 13 SS	40	39-1214260	1	COVER PLATE ASM
10	39-A5034M	3	PORCELAIN CYLINDER	41	GF610	3	LUBE FITTING
	39-1272060	3	CERAMIC CYLINDER	42	39-1103470	3	SET SCREW 5/16 - 18 X ½
11	39-A5002M	3	CYLINDER HEAD COVER	43	39-1104444	2	BALL BEARING
12	39-1280024	3	GASKET CYLINDER (COPPER)	44*	39-1281655	3	SEAL HOLDER
	39-1280024F	3	GASKET CYLINDER (FIBRE)	45	0608B55ZG5	14	HHCS 3/8 -16 X ½
13	39-1280025	3	GASKET CYL. COVER(COPPER)	46	39-1100068	12	HHCS 3/8 -16 X ¾
	39-1280025F	3	GASKET CYL. COVER(FIBRE)	47	0812BHH1G5	2	HHCS ½ -13 X ¾
14	39-1280026	3	GASKET VALVE COVER(COPPER)	48	39-1187048	2	PLUG, ½
	39-1280026F	3	GASKET VALVE COVER(FIBRE)	49	39-1121511	14	HEX NUT ½ -13
15	39-1250876	3	CROSSHEAD & ROD	50	39-1100243	3	LOCK WASHER
16	39-1271415	3	CLAMP CYLINDER HEAD	51	568-014-90	3	"O" RING
17	39-1271716	3	CLAMP VALVE COVER	52	39-1101242	2	CONE BEARING
18	39-P548657	1	BEARING CAP (USED WITH OIL SEAL 39-P548658)	53	39-1177287	2	CUP BEARING
18B	39-P548658	1	OIL SEAL (FOR BEARING CAP 39-P548657)	54*	39-A5046	3	BUSHING, CONNECTING ROD
19	39-A5006	3	PIN	55*	39-18743	6	BOLT, CONNECTING ROD
20	39-A5009	2	STUD CYLINDER	56	BI-109-H	1	PLUG 1" PIPE
21	39-A5011	6	CYLINDER COVER STUD	57	BI-109-K	2	PLUG 1 - ½ PIPE
22	39-A5012	6	VALVE CLAMP STUD	58	39-1187039	1	PETCOCK 1/8 NPT
23	39-1279064	2	BEARING HOUSING	59	39-1187577	1	KEY
24	39-A5026	2	GASKET	60	39-1256641	1	DISC VALVE PARTS ASM
25	39-A5025	2	GASKET	included in 60			
26	39-A5054	1	OIL CAP	A	39-1245786	1	SEAT VALVE
27	39-1283602	3	GASKET	B	39-1250400	1	DISC & SPRING ASM
				C	39-5260958	1	VALVE SEAT
				D	39-1251822	1	SNAP RING



111 Omands Creek Blvd., Winnipeg, Manitoba, Canada R2R 1W3
 Office: (204) 885-2513 • Fax: (204) 885-2511
 sales@allbutminingsupplies.com • www.allbutminingsupplies.com

FMC L09

SERIES 420 | 39-160-00



PERFORMANCE TABLE FMC L09-420

PISTON DIAMETER (IN)	DISPLACEMENT (GAL/REV)	MAX PRESSURE (PSI)	PUMP CAPACITY (GPM) @ INPUT SPEED (RPM)				
			390	625	700	750	890
2.750	0.0589	700	11.3	20.2	22.8	24.2	28.7



111 Omands Creek Blvd., Winnipeg, Manitoba, Canada R2R 1W3
 Office: (204) 885-2513 • Fax: (204) 885-2511
 sales@allbutminingsupplies.com • www.allbutminingsupplies.com

FMC W11

SERIES 435BCD | 39-160-04

ITEM #	PART #	QTY	DESCRIPTION	ITEM #	PART #	QTY	DESCRIPTION
	39-160-04		FMC W11-435BCD BEAN PUMP	31	39-1104349	1	KEY 3/8" X 2-1/2"
	39-A5049		TOOL ASM PLUNGER NUT	32	39-1187048	2	PIPE PLUG SQ HD 1/2 NPT CARBON STEEL
1	39-5257698	1	PUMP CASE	33	39-1187039	1	PETCOCK
2	39-1285094	1	CRANKSHAFT & GEAR	34	39-1284777	1	VALVE CHAMBER
3	39-5266814	3	CONNECTING ROD ASSEMBLY	35	39-1284740	6	VALVE SEAT
4	39-P514965	3	ROD BEARING (PAIR)	36	39-1101419	6	BALL, 1-1/8 DIA
5	39-A91014	3	WRIST PIN	37A	39-1267586	3	CYLINDER-CERAMIC
6	39-1252939	3	CROSSHEAD ASM	37B	39-A91664CLM	3	CYLINDER-PORCELAIN
7A	39-3268369	3	SEAL HOLDER	38	39-5260221	3	CUP PACKING, ABRASIVE
7B	39-1266365	3	SEAL HOLDER (PRE 2014)	39	39-A91663	3	PACKING HOLDER
8	39-1177489	9	ROD SEAL	40	39-1216753	3	PACKING WASHER
9	39-1248369	2	BEARING HOUSING	41	39-1285112M	3	CYLINDER COVER
10	39-A91675	2	GASKET	42A	39-1279674	3	GASKET CYLINDER COVER - FIBER
11	39-1252595	6	SHIM	42B	39-1247390	3	GASKET CYLINDER COVER - COPPER
12A	39-P508969	1	BACK COVER 18 HOLE	43	39-A80392	3	CYLINDER COVER CLAMP
12B	39-1250332	1	BACK COVER 16 HOLE (PRE 2014)	44	39-1285113M	3	VALVE COVER
13A	39-P508966	1	GASKET, BACK COVER 18 HOLE	45A	39-1279675	3	GASKET VALVE COVER - FIBER
13B	39-A91676	1	GASKET, BACK COVER 16 HOLE (PRE 2014)	45B	39-1247388	3	GASKET VALVE COVER - COPPER
14	39-A5054	1	OIL CAP	46	39-A80391	3	VALVE COVER CLAMP
15	39-1177473	2	BEARING CONE 2.25 ID X 1.1875 LG	47A	39-1279676	6	GASKET CYLINDER - FIBER
16	39-1177474	2	BEARING CUP 4.4375 OD X 1.1875 LG	47B	39-1247389	6	GASKET CYLINDER - COPPER
17A	39-P511596	1	PINION SHAFT	48*	39-1278104	6	VALVE DISC ASM (*CONSISTS OF ITEMS 48-1 TO 48-5)
17B	39-P513120	1	PINION SHAFT (DOUBLE SIDED)	48-1	39-1278054	6	SEAT, VALVE
18	39-P508916	1	PINION CAP	48-2	39-5277943	6	DISC
19	39-5257338	1	PINION BEARING CAP (USED WITH OIL SEAL 5257339)	48-3	39-1283377	6	SPRING
20A	39-P511746	2	BEARING, SPHERICAL ROLLER	48-4	39-1283376	6	WASHER
20B	39-1272558	2	BALL BEARING (PRE 2014)	48-5	39-1101229	6	RETAINING RING
21	39-A91674	2	GASKET	49	568-014-90	3	"O" RING
22	39-5257339	1	OIL SEAL (FOR PINION BEARING CAP 5257338)	50	39-A5016	3	PLUNGER NUT 3/4-16 UNF
23	39-1266323	3	PACKING NUT	51	08NHZGR5	6	HEX NUT 1/2-13 UNC-2B
24A	39-3268418	3	PACKING GASKET	52	10NHZ	8	HEX NUT 5/8-11 UNC-2B
24B	39-19510	3	PACKING WASHER (PRE 2014)	53	39-8309	3	NUT, HEX 1/2-13 UNC
25	39-1103470	6	SET SCREW 5/16"	54	BI-109-J	1	PLUG; 1-1/4"
26	39-5260567	1	INSPECTION PLATE	55	BI-109-A	6	PIPE PLUG; HEX HEAD 1/8-27 NPT
27	568-252-90	2	O-RING	56	BI-109-M	2	SQUARE HEAD PLUG
28	0408BHHZG5	2	CAP SCREW, HX HD, 1/4-20 UNC2A X 0.5 LG	57	39-A5076	6	STUD 1/2-13UNC-2A X 3.5 LONG
29	0816BHHZG5	12	CAP SCREW 1/2"	58	39-A91672	2	STUD 5/8-11 UNC-2A X 7.88 LONG
30	0812BHHZG5	20	CAP SCREW, HX HD, 1/2-13 UNC2A X 0.75 LG	59	39-1279602	6	STUD 5/8-11 UNC-2A X 10.5 LONG
				60	08WLZ	6	WASHER, FLAT 1/2 TYPE A
				61	10WLZ	6	WASHER, FLAT 5/8 TYPE A

Specifications:

- Standard Suction Size: 1.50" NPT
- Standard Discharge Size: 1.00" NPT
- Pump Weight: 200 LBS
- 14 HP
- Flows to 28 GPM
- Pressures to 1000 psi

Features:

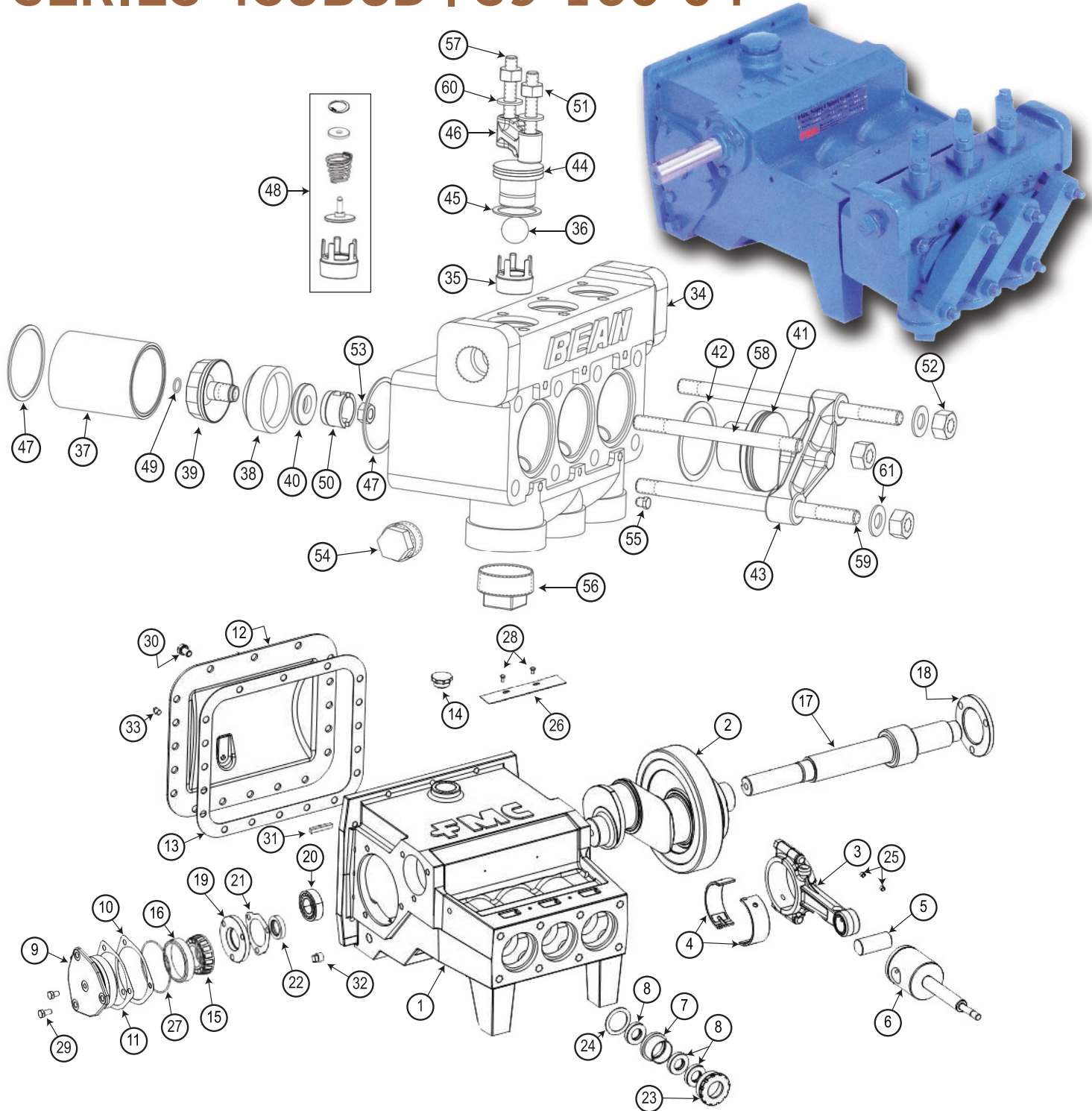
- Fluid end material of cast iron
- Pump can be easily repacked
- Ceramic cylinders
- Internal gear reduction in crankcase eliminates need for large sheaves
- Ball valves are available for pumping viscous materials such as drilling muds



111 Omands Creek Blvd., Winnipeg, Manitoba, Canada R2R 1W3
 Office: (204) 885-2513 • Fax: (204) 885-2511
 sales@allbutminingsupplies.com • www.allbutminingsupplies.com

FMC W11

SERIES 435BCD | 39-160-04



Allbutt MINING SUPPLIES

111 Omands Creek Blvd., Winnipeg, Manitoba, Canada R2R 1W3
Office: (204) 885-2513 • Fax: (204) 885-2511
sales@allbutminingsupplies.com • www.allbutminingsupplies.com