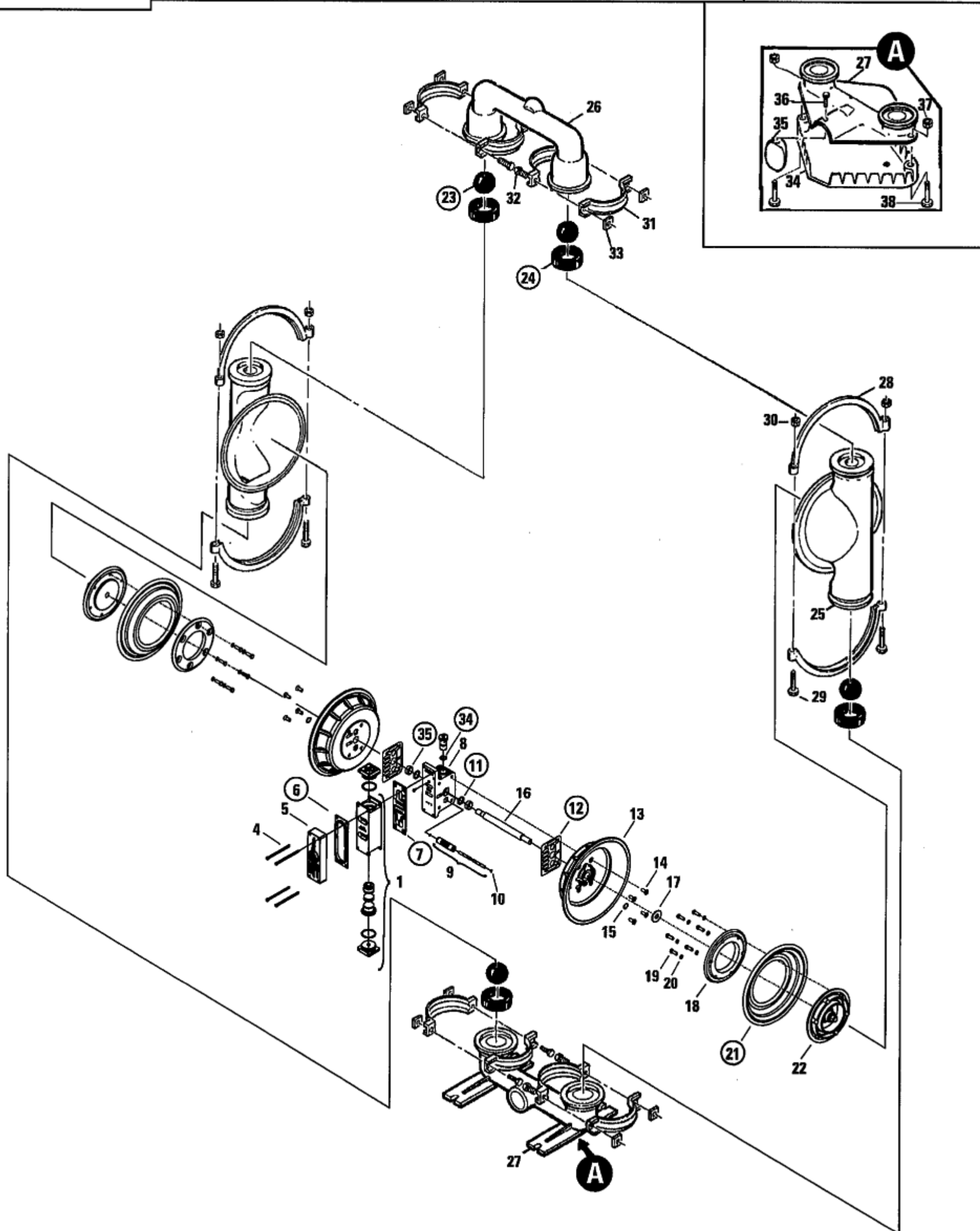


**EXPLODED VIEW & PARTS LISTING**

**PX15 METAL** Rubber/TPE/Ultra-Flex<sup>™</sup>-Fitted

**EXPLODED VIEW**



**ALL CIRCLED PART IDENTIFIERS ARE INCLUDED IN REPAIR KITS (see section 9).**



# EXPLODED VIEW & PARTS LISTING

## PX15 METAL Rubber/TPE/Ultra-Flex™ - Fitted PARTS LISTING

Item	Description	Qty.	PX15/AAAAA/ P/N	PX15/WWAAA/ P/N	PX15/SSAAA/ P/N	PX15/SSAAA/0070 P/N	PX15/SSSSS/ P/N	PX15/SSSSS/0070 P/N
1	Pro-Flo V™ Assembly, Air Valve <sup>1</sup>	1	04-2030-01	04-2030-01	04-2030-01	04-2030-01	04-2030-03	04-2030-03
2	O-Ring (-225), End Cap (1.859 x .139)	2	04-3290-52-700	04-3290-52-700	04-3290-52-700	04-3290-52-700	04-3290-52-700	04-3290-52-700
3	End Cap	2	04-2340-01	04-2340-01	04-2340-01	04-2340-01	04-2340-03	04-2340-03
4	Screw, SHC, Air Valve (1/4" - 20 x 4-1/2")	4	01-6000-03	01-6000-03	01-6000-03	01-6000-03	01-6000-03	01-6000-03
5	Muffler Plate, Pro-Flo V™	1	04-3185-01	04-3185-01	04-3185-01	04-3185-01	04-3185-03	04-3185-03
6	<b>Gasket, Muffler Plate, Pro-Flo V™</b>	1	<b>04-3502-52</b>	<b>04-3502-52</b>	<b>04-3502-52</b>	<b>04-3502-52</b>	<b>04-3502-52</b>	<b>04-3502-52</b>
7	<b>Gasket, Air Valve, Pro-Flo V™</b>	1	<b>04-2620-52</b>	<b>04-2620-52</b>	<b>04-2620-52</b>	<b>04-2620-52</b>	<b>04-2620-52</b>	<b>04-2620-52</b>
8	Center Block Assembly, Pro-Flo X™ <sup>2</sup>	1	15-3126-01	15-3126-01	15-3126-01	15-3126-01	15-3126-03	15-3126-03
9	<b>Pilot Sleeve Assembly</b>	1	<b>15-3884-99</b>	<b>15-3884-99</b>	<b>15-3884-99</b>	<b>15-3884-99</b>	<b>15-3884-99</b>	<b>15-3884-99</b>
10	<b>Pilot Spool Retaining O-Ring</b>	2	<b>04-2650-49-700</b>	<b>04-2650-49-700</b>	<b>04-2650-49-700</b>	<b>04-2650-49-700</b>	<b>04-2650-49-700</b>	<b>04-2650-49-700</b>
11	<b>Shaft Seal</b>	2	<b>15-3210-55-225</b>	<b>15-3210-55-225</b>	<b>15-3210-55-225</b>	<b>15-3210-55-225</b>	<b>15-3210-55-225</b>	<b>15-3210-55-225</b>
12	<b>Gasket, Center Block Pro-Flo V™</b>	2	<b>04-3529-52</b>	<b>04-3529-52</b>	<b>04-3529-52</b>	<b>04-3529-52</b>	<b>04-3529-52</b>	<b>04-3529-52</b>
13	Air Chamber, Pro-Flo	2	15-3660-01	15-3660-01	15-3660-01	15-3660-01	15-3660-03	15-3660-03
14	Screw, HSFHS (3/8" - 16 x 1")	8	15-6130-01	15-6130-01	15-6130-08	15-6130-08	15-6130-08	15-6130-08
15	Retaining Ring	2	04-3890-03	04-3890-03	04-3890-03	04-3890-03	04-3890-03	04-3890-03
16	Shaft	1	15-3805-09	15-3805-09	15-3805-09	15-3805-09	15-3805-09	15-3805-09
17	Washer, Inner Piston Back-up	2	15-6850-08	15-6850-08	15-6850-08	15-6850-08	15-6850-08	15-6850-08
18	Piston, Inner	2	15-3700-01	15-3700-01	15-3700-01	15-3700-01	15-3700-03	15-3700-03
	Piston Inner, Ultra-Flex™	2	15-3760-08	15-3760-08	15-3760-08	N/A	15-3760-08	N/A
19	Outer Piston Bolt (3/8" - 16 x 1-1/8")	12	15-6130-08	15-6130-08	15-6130-08	15-6130-08	15-6130-08	15-6130-08
20	Washer, Flat	12	15-6740-08-50	15-6740-08-50	15-6740-08-50	15-6740-08-50	15-6740-08-50	15-6740-08-50
21	<b>Diaphragm</b>	2	*	*	*	<b>15-1010-56</b>	*	<b>15-1010-56</b>
22	Piston, Outer	2	15-4550-01	15-4550-02	15-4550-03	15-4550-03P	15-4550-03	15-4550-03P
	Piston Outer, Ultra-Flex™	2	15-4560-01	15-4560-02	15-4560-03	N/A	15-4560-03	N/A
23	<b>Ball, Valve</b>	4	*	*	*	<b>15-1080-56</b>	*	<b>15-1080-56</b>
24	<b>Seat, Valve</b>	4	*	*	*	<b>15-1120-56</b>	*	<b>15-1120-56</b>
25	Liquid Chamber	2	15-5000-01	15-5000-02	15-5000-03	15-5000-03P	15-5000-03	15-5000-03P
26	Manifold, Discharge	1	15-5020-01	15-5020-02	15-5020-03	15-5020-03-70P	15-5020-03	15-5020-03-70P
27	Manifold, Footed Inlet	1	15-5080-01	15-5080-02	15-5080-03	15-5080-03-70P	15-5080-03	15-5080-03-70P
28	Large Clamp Band Assembly	2	15-7300-08	15-7300-08	15-7300-03	15-7300-03-70	15-7300-03	15-7300-03-70
29	Large Hex Bolt (1/2" - 13 x 3-1/2")	4	15-6120-08	15-6120-08	15-6120-03	15-6120-03	15-6120-03	15-6120-03
30	Large Hex Nut (1/2" - 13)	4	15-6420-08	15-6420-08	15-6420-03	15-6671-10	15-6420-03	15-6671-10
31	Small Clamp Band Assembly	4	15-7100-08	15-7100-08	15-7100-03	15-7100-03-70	15-7100-03	15-7100-03-70
32	Small Hex Bolt (3/8" - 16 x 2-1/4") <sup>3</sup>	8	15-6050-08	15-6050-08	15-6050-03	15-6050-03	15-6050-03	15-6050-03
33	Small Hex Nut (3/8" - 16)	8	08-6450-08	08-6450-08	08-6450-03	08-6671-10	08-6450-03	08-6671-10
34	<b>O-Ring (-210), Adjuster (Ø.734" x Ø.139")</b>	1	<b>02-3200-52</b>	<b>02-3200-52</b>	<b>02-3200-52</b>	<b>02-3200-52</b>	<b>02-3200-52</b>	<b>02-3200-52</b>
35	<b>Bushing, Shaft</b>	2	<b>15-3306-13</b>	<b>15-3306-13</b>	<b>15-3306-13</b>	<b>15-3306-13</b>	<b>15-3306-13</b>	<b>15-3306-13</b>
	Muffler (not shown)	1	15-3510-99R	15-3510-99R	15-3510-99R	15-3510-99R	15-3510-99R	15-3510-99R
	Washer, Flat, (1/4") (Not Shown)	8	N/A	N/A	N/A	08-6720-07-70	N/A	08-6720-07-70
	Washer, Flat, (5/16") (Not Shown)	4	N/A	N/A	N/A	15-6720-07-70	N/A	15-6720-07-70

\*See elastomer chart - Section 9

<sup>1</sup>Air Valve Assembly includes items 2 and 3.

<sup>2</sup>Center Block Assembly includes item 11, 34 and 35.

<sup>3</sup>P/N 15-6050-03 has a length of 2"

0030 Specialty Code = Screen Based

0070 Specialty Code = Saniflo<sup>FDA</sup>

**All boldface items are primary wear parts.**

### Screen Base Assembly - /0030 Specialty Code

Item	Description	Qty.	/0030 P/N
27	Manifold, Inlet	1	15-5080-01-30
36	Screen Base	1	15-5620-01
37	Suction Hook-up Cover	1	15-5660-01
38	Hex Machine Screw (3/8" - 16 x 7/8")	1	08-6140-08
39	Hex Nut (3/8" - 16)	2	08-6450-01
40	Hex Machine Screw (3/8" - 16 x 3")	2	08-6120-08



**ELASTOMER OPTIONS**

**PX15 METAL**

MATERIAL	DIAPHRAGMS (2)	ULTRA-FLEX™ DIAPHRAGMS (2)	BACK UP DIAPHRAGM (2)	VALVE BALLS (4)	VALVE SEATS (4)	VALVE SEAT O-RINGS (4)
Polyurethane	15-1010-50	N/A	N/A	15-1080-50	15-1120-50	N/A
Neoprene	15-1010-51	15-1020-51*	15-1060-51	15-1080-51	15-1120-51	N/A
Buna-N	15-1010-52	15-1020-52*	N/A	15-1080-52	15-1120-52	N/A
EPDM	15-1010-54	15-1020-54*	15-1060-54	15-1080-54	15-1120-54	N/A
Viton®	15-1010-53	15-1020-53*	N/A	15-1080-53	15-1120-53	N/A
Saniflex™	15-1010-56	N/A	15-1060-56	15-1080-56	15-1120-56	N/A
PTFE	15-1010-55	N/A	N/A	15-1080-55	N/A	15-1200-55¹
Wil-Flex™	15-1010-58	N/A	N/A	15-1080-58	15-1120-58	N/A
Aluminum	N/A	N/A	N/A	N/A	15-1121-01	N/A
Stainless Steel	N/A	N/A	N/A	N/A	15-1121-03	N/A
Mild Steel	N/A	N/A	N/A	N/A	15-1121-08	N/A

\*Consult P/S UF for Ultra-Flex™ information.

¹ Used on metallic seat only.

**PX15 METAL STALLION**

MATERIAL	DIAPHRAGMS (2) P/N	VALVE BALLS (4) P/N	VALVE SEATS (4) P/N
Neoprene	15-1020-51	08-1080-51	15-1120-51-50
Buna-N	15-1020-52	08-1080-52	15-1120-52-50
EPDM	15-1020-54	08-1080-54	15-1120-54-50
Viton®	15-1020-53	08-1080-53	15-1120-53-50

**ELASTOMER KITS OPTIONS**

**PRO-FLO X™**

DESCRIPTION	NEOPRENE	BUNA-N	VITON®	EPDM
Original™ Metal	15-9582-51	15-9582-52	15-9582-53	15-9582-54
Original™ Metal (Ultra-Flex™)	15-9586-51	15-9586-52	15-9586-53	15-9586-54
DESCRIPTION	PTFE	WIL-FLEX™	SANIFLEX™	POLYURETHANE
Original™ Metal	15-9582-55	15-9582-58	15-9582-56	15-9582-50